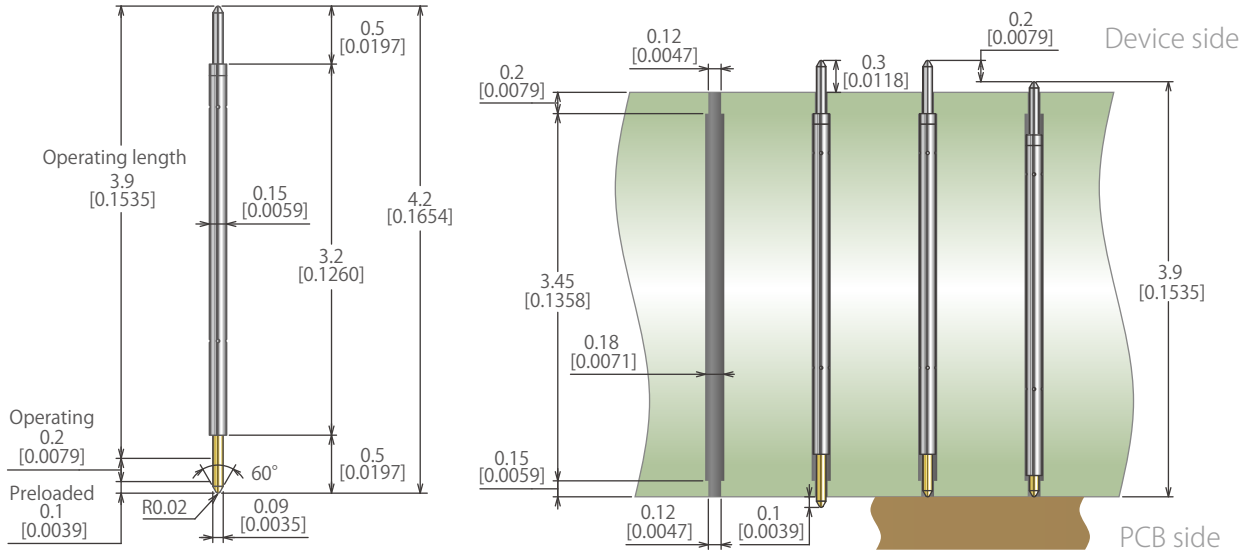


Pitch **0.25mm**

Length **4.2mm**

**BGA** **LGA** **SOP**  
**QFP** **QFN** **etc.**

Pin Outline in Millimeter [inch]

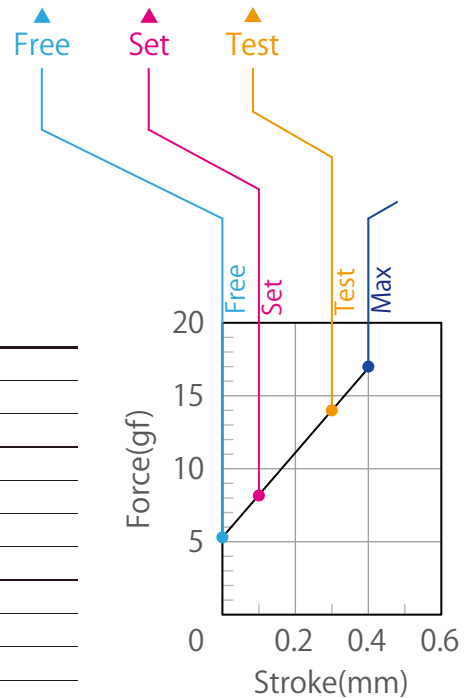


Top Plunger Variation & Item Number

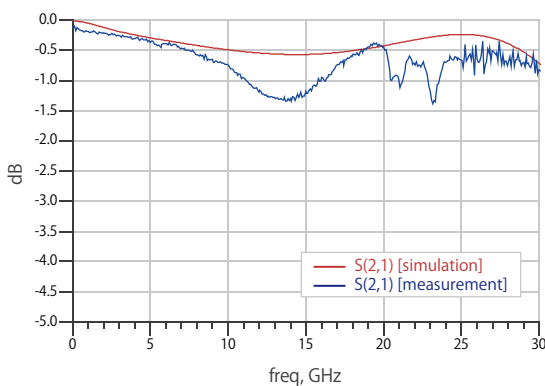


SPECIFICATIONS (Approximate Average Values)

Mechanical Specifications	Spring Force at Operating Travel	14gf (0.49oz.)@0.3mm(0.0118inch) Travel
	Operating Temperature	-40 to 120°C
	Life Span at Operating Travel	80K Cycles
Electrical Specifications	Current Rating (Continuous)	0.3A
	Self Inductance	1.71nH
	Bandwidth @-1dB	>30GHz
	DC Resistance	≤0.5ohm
Material and Finishes	Top Plunger	Pd Alloy
	Bottom Plunger	Hardened Steel / Au Plated
	Barrel	Alloy
	Spring	Music Wire / Au Plated



Insertion Loss Data >-1dB@30GHz



Life Test Data

