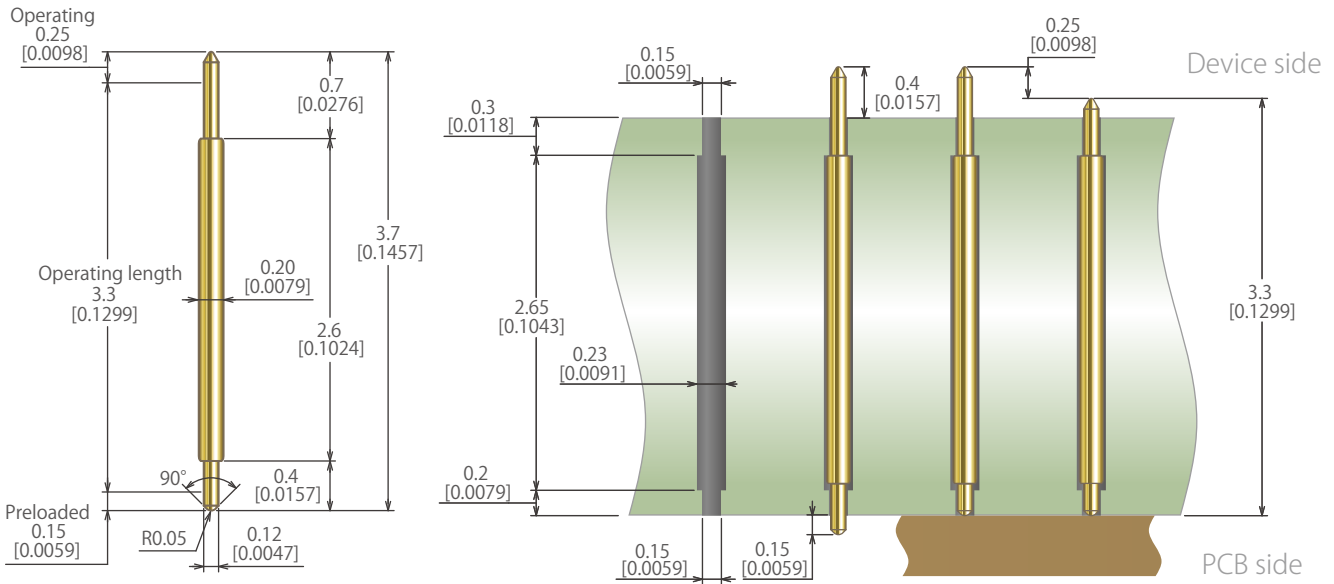


Pitch **0.30mm**

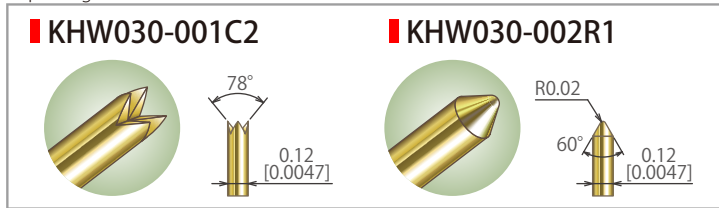
Length **3.7mm**

BGA **LGA** **SOP**
QFP **QFN** **etc.**

Pin Outline in Millimeter [inch]

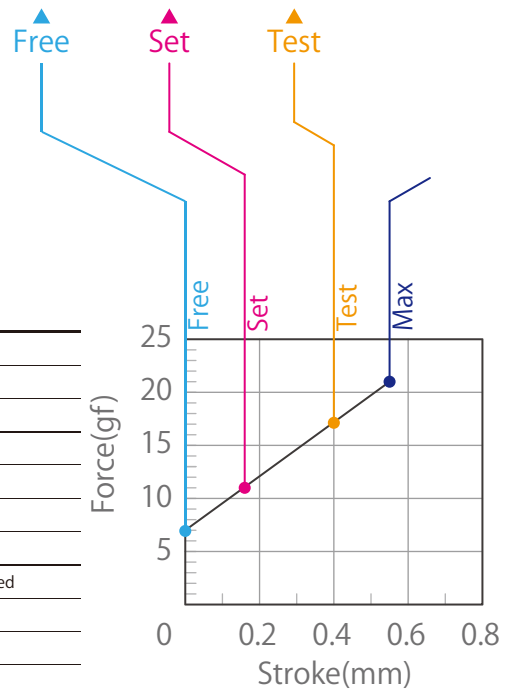


Top Plunger Variation & Item Number

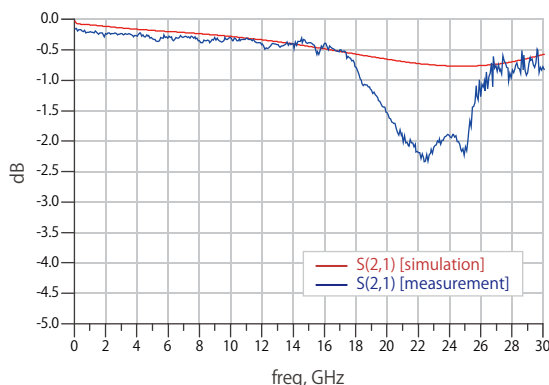


SPECIFICATIONS (Approximate Average Values)

Mechanical Specifications	Spring Force at Operating Travel	17gf (0.60oz.)@0.4mm(0.0157inch) Travel
	Operating Temperature	-40 to 120°C
	Life Span at Operating Travel	150K Cycles
Electrical Specifications	Current Rating (Continuous)	0.8A
	Self Inductance	1.27nH
	Bandwidth @-1dB	> 30GHz
	DC Resistance	≤ 0.1ohm
Material and Finishes	Top Plunger	(KHW030-001C2) Hardened BeCu / Au Alloy Plated (KHW030-002R1) Hardened BeCu / Au Plated
	Bottom Plunger	Hardened BeCu / Au Plated
	Barrel	Alloy / Au Plated
	Spring	Music Wire / Au Plated



Insertion Loss Data >-1dB@30GHz



Life Test Data

