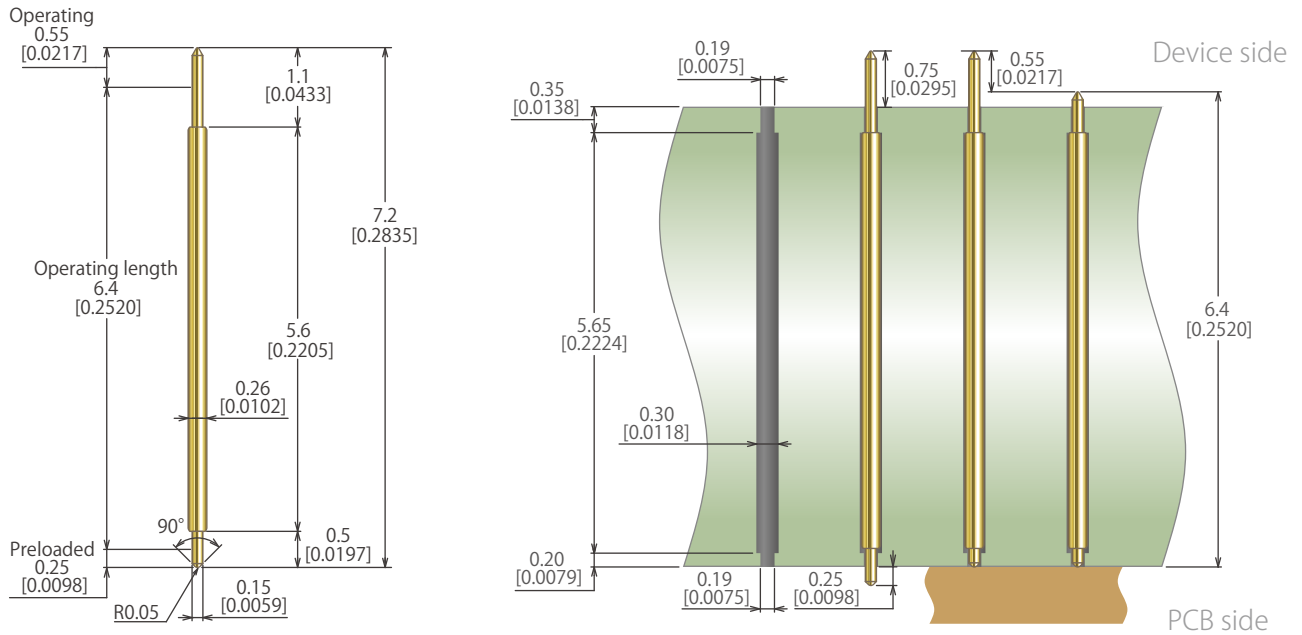


Pitch **0.35mm**

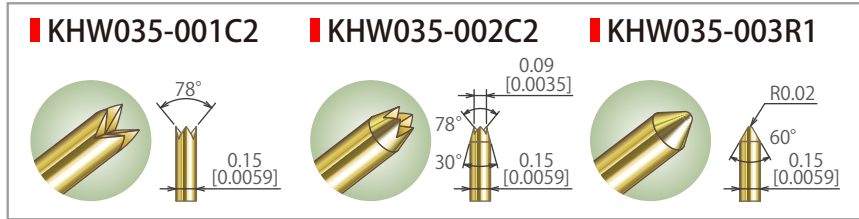
Length **7.2mm**

BGA **LGA** **SOP**
QFP **QFN** **etc.**

Pin Outline in Millimeter [inch]

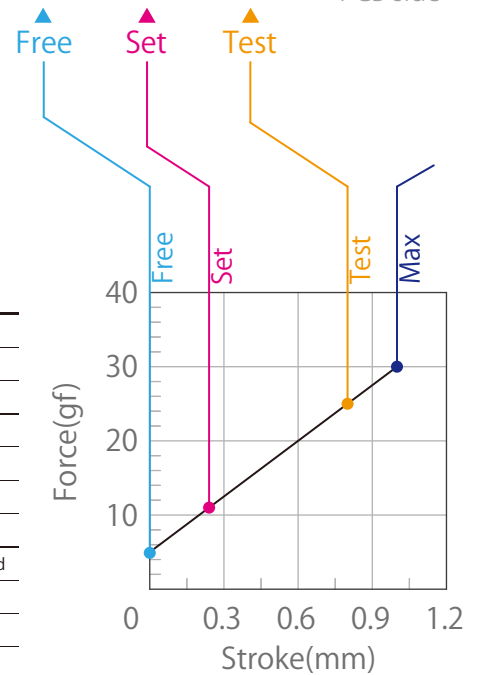


Top Plunger Variation & Item Number

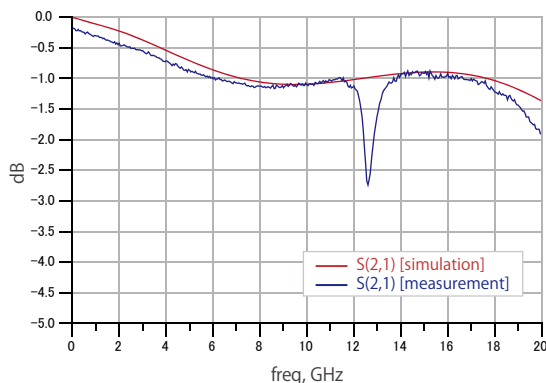


SPECIFICATIONS (Approximate Average Values)

Mechanical Specifications	Spring Force at Operating Travel	25gf (0.88oz.)@0.8mm(0.0315inch) Travel
	Operating Temperature	-40 to 140°C
	Life Span at Operating Travel	300K Cycles
Electrical Specifications	Current Rating (Continuous)	1.5A
	Self Inductance	2.07nH
	Bandwidth @-1dB	7.2GHz
	DC Resistance	≤0.1ohm
Material and Finishes	Top Plunger	(KHW035-001C2, 002C2) Hardened BeCu / Au Alloy Plated (KHW035-003R1) Hardened BeCu / Au Plated
	Bottom Plunger	Hardened BeCu / Au Plated
	Barrel	Alloy / Au Plated
	Spring	Stainless Steel / Au Plated



Insertion Loss Data -1dB@7.2GHz



Life Test Data

