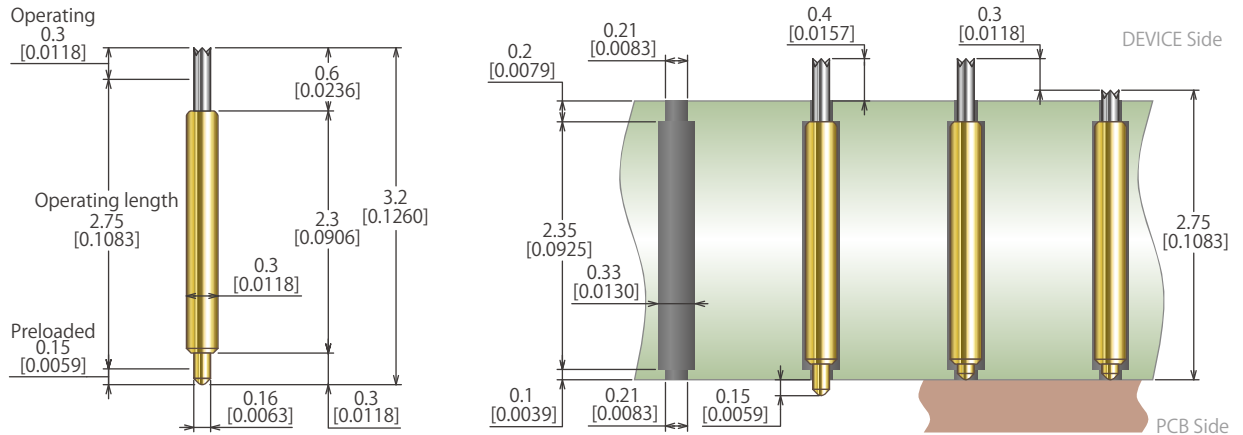


Pitch **0.40mm**

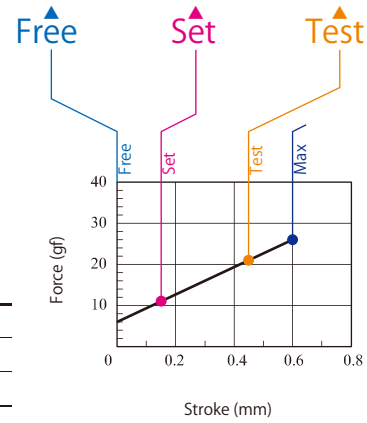
Length **3.2mm**

BGA **LGA** **SOP**
QFP **QFN** **etc.**

Pin Outline in Millimeter [inch]



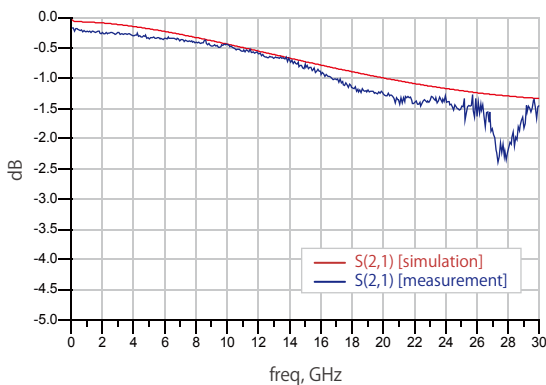
Top Plunger Variation & Item Number



SPECIFICATIONS (Approximate Average Values)

Mechanical Specifications	Spring Force at Operating Travel	22gf (0.78oz.)@0.45mm(0.0177inch) Travel
	Operating Temperature	-40 to 120°C
	Life Span at Operating Travel	1000K Cycles
Electrical Specifications	Current Rating (Continuous)	1.4A
	Self Inductance	0.87nH
	Bandwidth @-1dB	20.2GHz
	DC Resistance	≤0.1ohm
Material and Finishes	Top Plunger	(KGW040-001CP) Pd Alloy NEW (KHW040-001R2, 002C2) Hardened BeCu / Au Alloy Plated
	Bottom Plunger	Hardened BeCu / Au Plated
	Barrel	Alloy / Au Plated
	Spring	Music Wire / Au Plated

Insertion Loss Data -1dB@20.2GHz



Life Test Data

