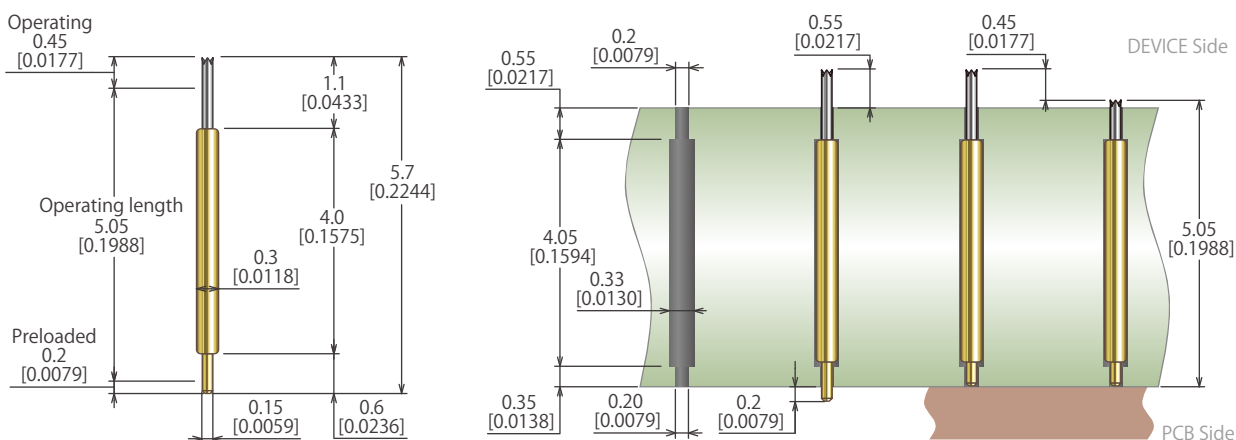


Pitch **0.40mm**

Length **5.7mm**

BGA **LGA** **SOP**
QFP **QFN** **etc.**

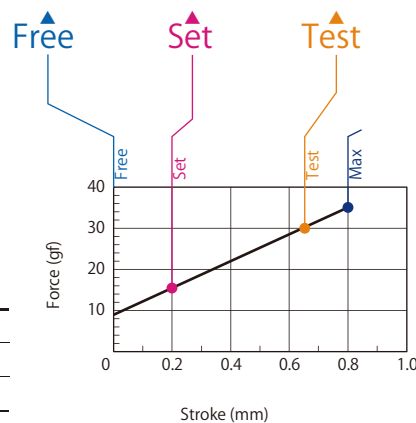
Pin Outline in Millimeter [inch]



Top Plunger Variation & Item Number

KHW040-006CP **KHW040-007R2** **KHW040-008C2**

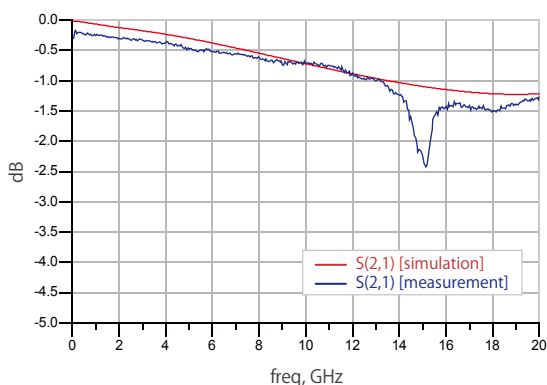
NEW



SPECIFICATIONS (Approximate Average Values)

Mechanical Specifications	Spring Force at Operating Travel	30gf (1.06oz.)@0.65mm(0.0256inch) Travel
	Operating Temperature	-40 to 120°C
	Life Span at Operating Travel	1000K Cycles
Electrical Specifications	Current Rating (Continuous)	1.4A
	Self Inductance	1.61nH
	Bandwidth @-1dB	13.6GHz
	DC Resistance	≤0.1ohm
Material and Finishes	Top Plunger	(KHW040-006CP) Pd Alloy NEW (KHW040-007R2, 008C2) Hardened BeCu / Au Alloy Plated
	Bottom Plunger	Hardened BeCu / Au Plated
	Barrel	Alloy / Au Plated
	Spring	Music Wire / Au Plated

Insertion Loss Data -1dB@13.6GHz



Life Test Data

