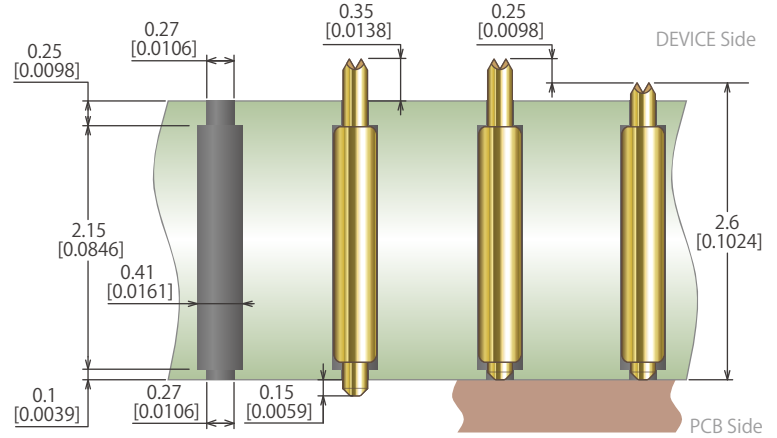
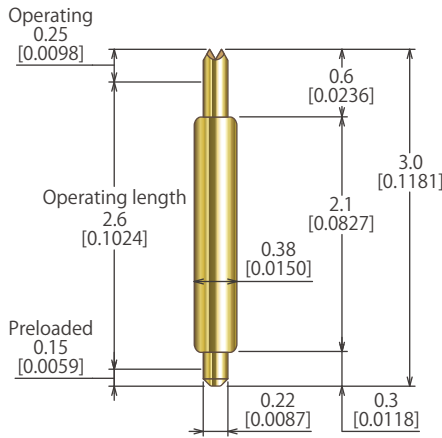


Pitch **0.50mm**

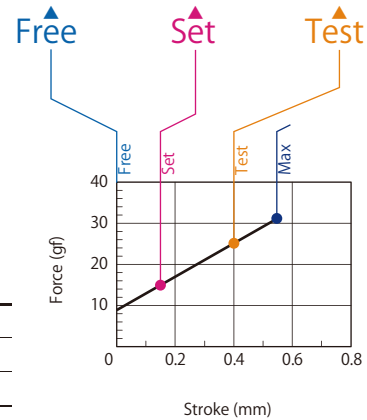
Length **3.0mm**

BGA **LGA** **SOP**
QFP **QFN** **etc.**

Pin Outline in Millimeter [inch]



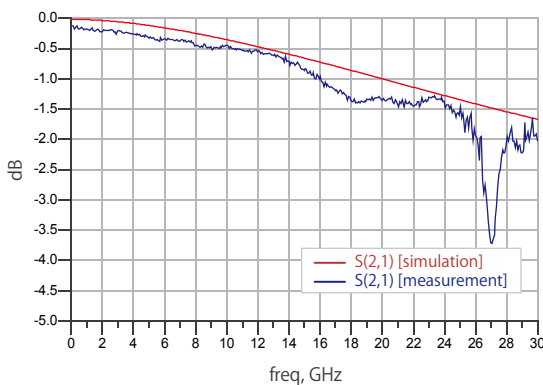
Top Plunger Variation & Item Number



SPECIFICATIONS (Approximate Average Values)

Mechanical Specifications	Spring Force at Operating Travel	25gf (0.88oz.)@0.4mm(0.0157inch)Travel
	Operating Temperature	-40 to 120°C
	Life Span at Operating Travel	1000K Cycles
Electrical Specifications	Current Rating (Continuous)	1.1A
	Self Inductance	0.81nH
	Bandwidth @-1dB	20.0GHz
	DC Resistance	≤0.1ohm
Material and Finishes	Top Plunger	(KHW050-001C2, 002R2) Hardened BeCu / Au Alloy Plated (KHW050-003CP) Pd Alloy NEW
	Bottom Plunger	Hardened BeCu / Au Plated
	Barrel	Alloy / Au Plated
	Spring	Music Wire / Au Plated

Insertion Loss Data -1dB@20.0GHz



Life Test Data

