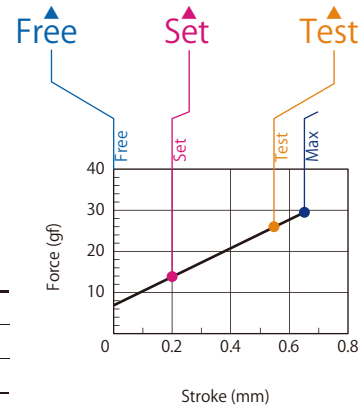
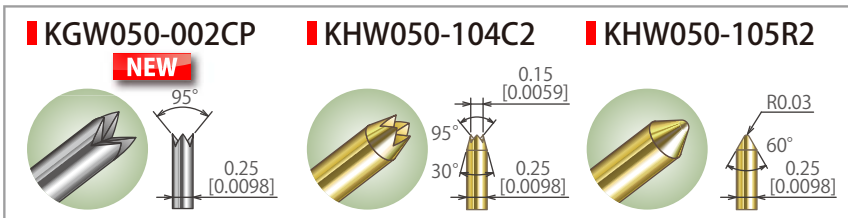
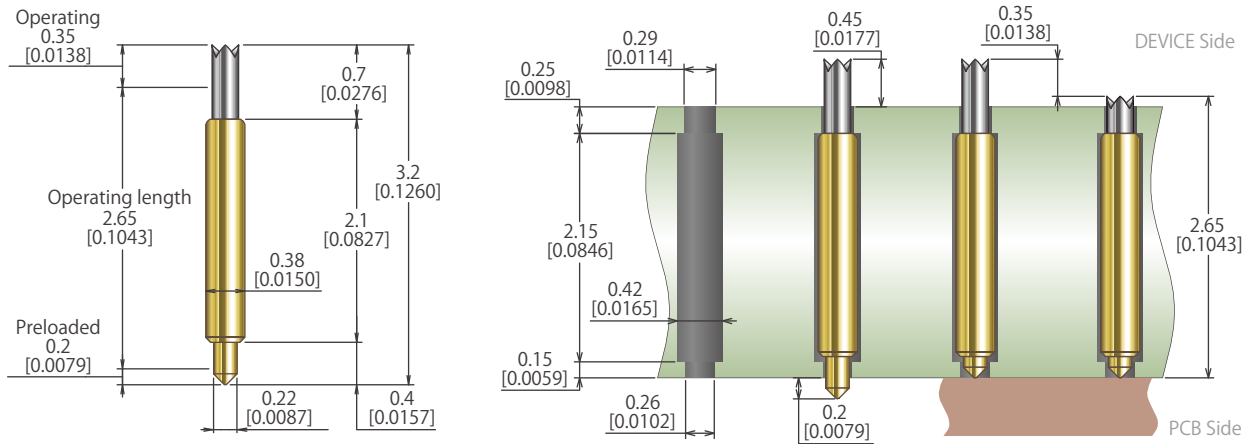


Pitch **0.50mm**

Length **3.2mm**

BGA **LGA** **SOP**
QFP **QFN** **etc.**

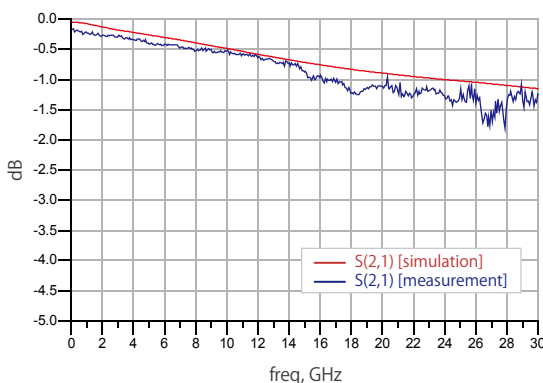
Pin Outline in Millimeter [inch]



SPECIFICATIONS (Approximate Average Values)

Mechanical Specifications	Spring Force at Operating Travel	26gf (0.92oz.)@0.55mm(0.0217inch) Travel
	Operating Temperature	-40 to 120°C
	Life Span at Operating Travel	300K Cycles
Electrical Specifications	Current Rating (Continuous)	1.4A
	Self Inductance	0.82nH
	Bandwidth @-1dB	24.1GHz
	DC Resistance	≤0.1ohm
Material and Finishes	Top Plunger	(KGW050-002CP) Pd Alloy NEW (KHW050-104C2, 105R2) Hardened BeCu / Au Alloy Plated
	Bottom Plunger	Hardened BeCu / Au Plated
	Barrel	Alloy / Au Plated
	Spring	Music Wire / Au Plated

Insertion Loss Data -1dB@24.1GHz



Life Test Data

