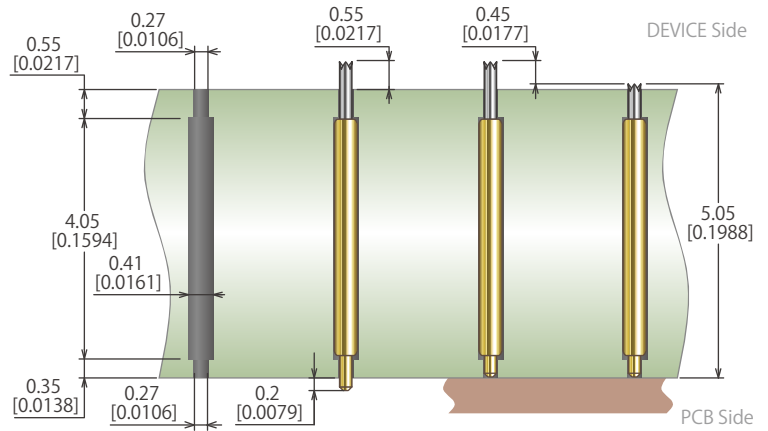
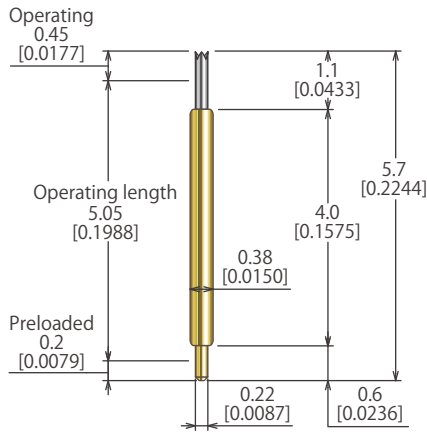


Pitch **0.50mm**

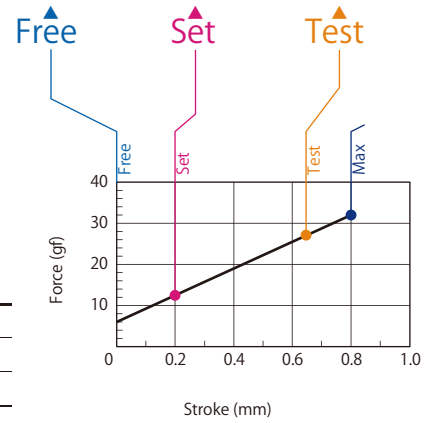
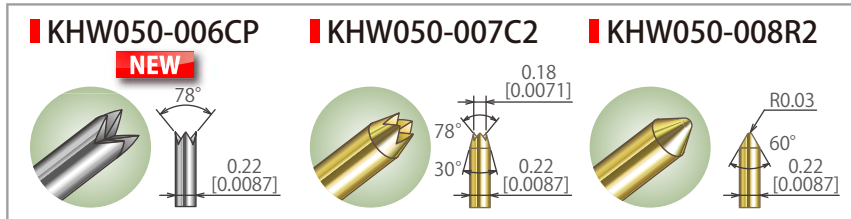
Length **5.7mm**

BGA **LGA** **SOP**
QFP **QFN** **etc.**

Pin Outline in Millimeter [inch]



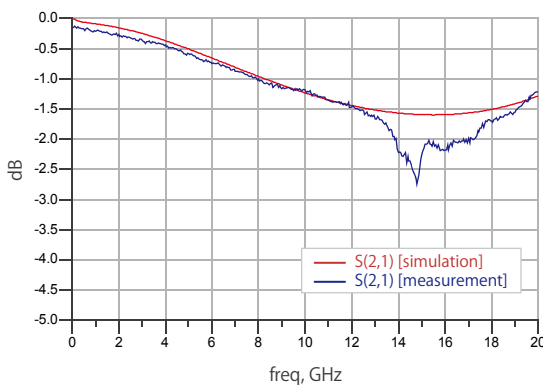
Top Plunger Variation & Item Number



SPECIFICATIONS (Approximate Average Values)

Mechanical Specifications	Spring Force at Operating Travel	27gf (0.95oz.)@0.65mm(0.0256inch) Travel
	Operating Temperature	-40 to 140°C
	Life Span at Operating Travel	1000K Cycles
Electrical Specifications	Current Rating (Continuous)	1.6A
	Self Inductance	1.57nH
	Bandwidth @-1dB	8.3GHz
	DC Resistance	≤0.1ohm
Material and Finishes	Top Plunger	(KHW050-006CP) Pd Alloy NEW (KHW050-007C2, 008R2) Hardened BeCu / Au Alloy Plated
	Bottom Plunger	Hardened BeCu / Au Plated
	Barrel	Alloy / Au Plated
	Spring	Stainless Steel / Au Plated

Insertion Loss Data -1dB@8.3GHz



Life Test Data

