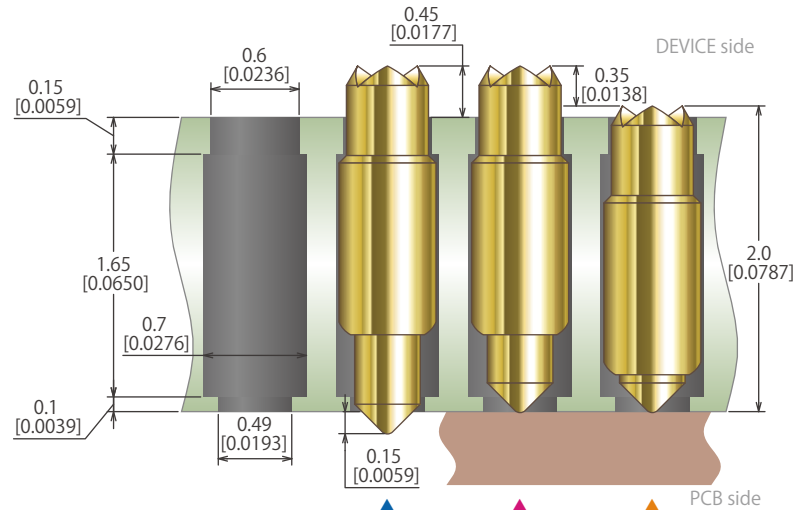
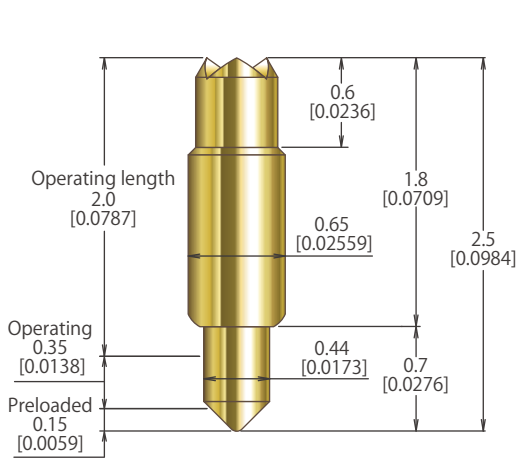


Pitch **0.80mm**

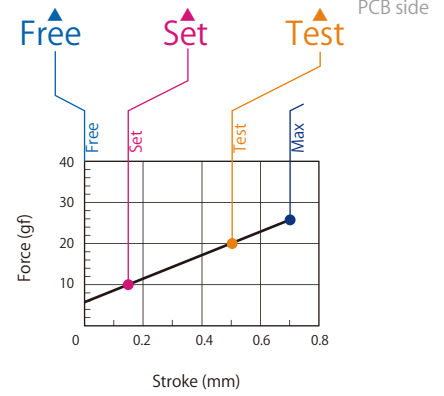
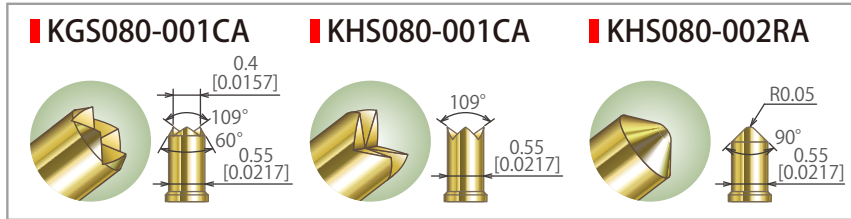
Length **2.5mm**

BGA **LGA** **SOP**
QFP **QFN** **etc.**

Pin Outline in Millimeter [inch]



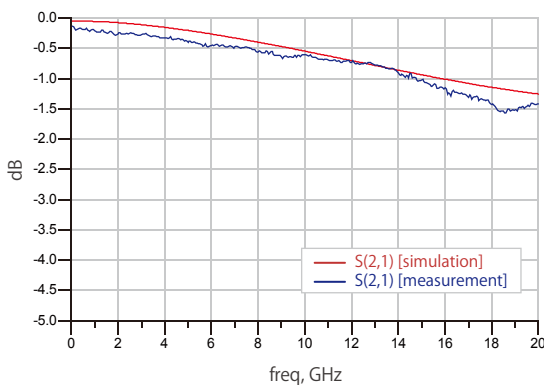
Top Plunger Variation & Item Number



SPECIFICATIONS (Approximate Average Values)

Mechanical Specifications	Spring Force at Operating Travel	20gf (0.71oz.)@0.5mm(0.0197inch) Travel
	Operating Temperature	-40 to 120°C
	Life Span at Operating Travel	1000K Cycles
Electrical Specifications	Current Rating (Continuous)	1.9A
	Self Inductance	0.53nH
	Bandwidth @-1dB	15.9GHz
DC Resistance	≤0.1ohm	
Material and Finishes	Bottom Plunger	Hardened BeCu / Au plated
	Barrel	Hardened BeCu / Au Alloy plated
	Spring	Music Wire / Au plated

Insertion Loss Data -1dB@15.9GHz



Life Test Data

