

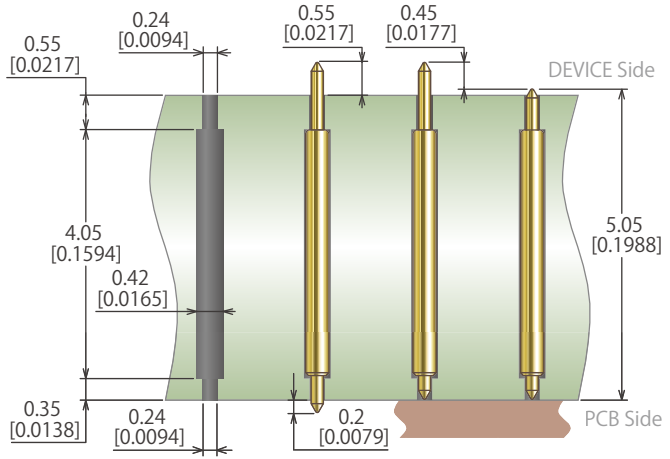
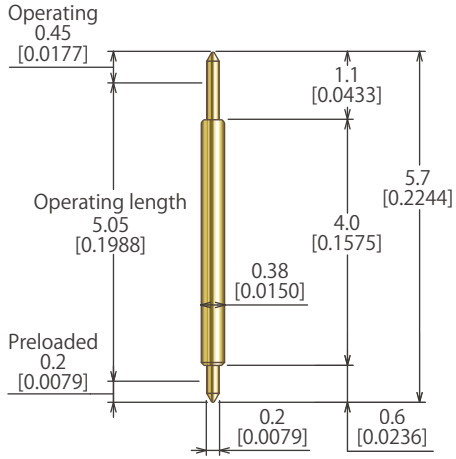
**High Current**  
**High Temperature**

**高電流 / 高温**

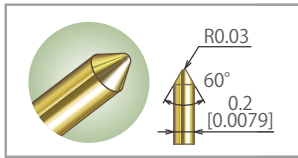
**Pitch**  
**0.50mm**

Pin Outline in Millimeter [inch]

**KJW050-002RG** **NEW**



Top Plunger Dimension



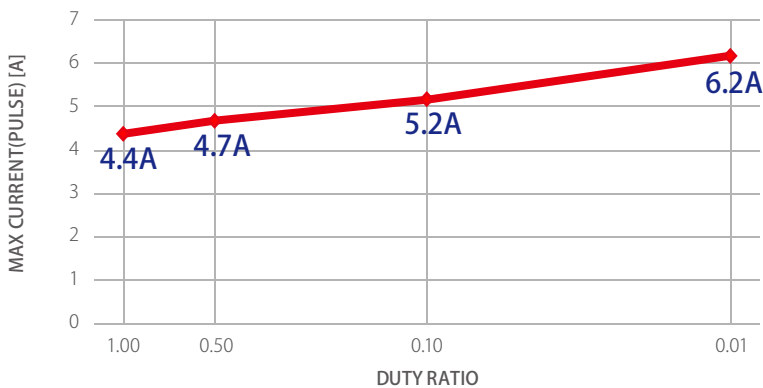
Max Operating Temp.  
**200°C**  
(392°F)

Current Rating  
**4.4A**  
(Continuous)

**SPECIFICATIONS** (Approximate Average Values)

Mechanical Specifications	Spring Force at Operating Travel	13gf (0.46oz.)@0.65mm(0.0256inch) Travel
	Operating Temperature	-40 to 200°C
	Life Span at Operating Travel	1000K Cycles
Electrical Specifications	Current Rating (Continuous)	4.4A
	Self Inductance	1.57nH
	Bandwidth @-1dB	7.8GHz
	DC Resistance	≤0.1ohm
Material and Finishes	Top Plunger	Hardened BeCu / Au plated
	Bottom Plunger	Hardened BeCu / Au plated
	Barrel	Phosphor Bronze / Au plated
	Spring	Stainless Steel / Au plated

**KJW050-002RG**



**Rectangular Pulse Example**

Duty Ratio	ON	OFF	Max Current
1.0	Continuous		4.4A
0.5	0.1sec	0.1sec	4.7A
0.1	0.1sec	0.9sec	5.2A
0.01	0.1sec	9.9sec	6.2A