



Kelvin 030

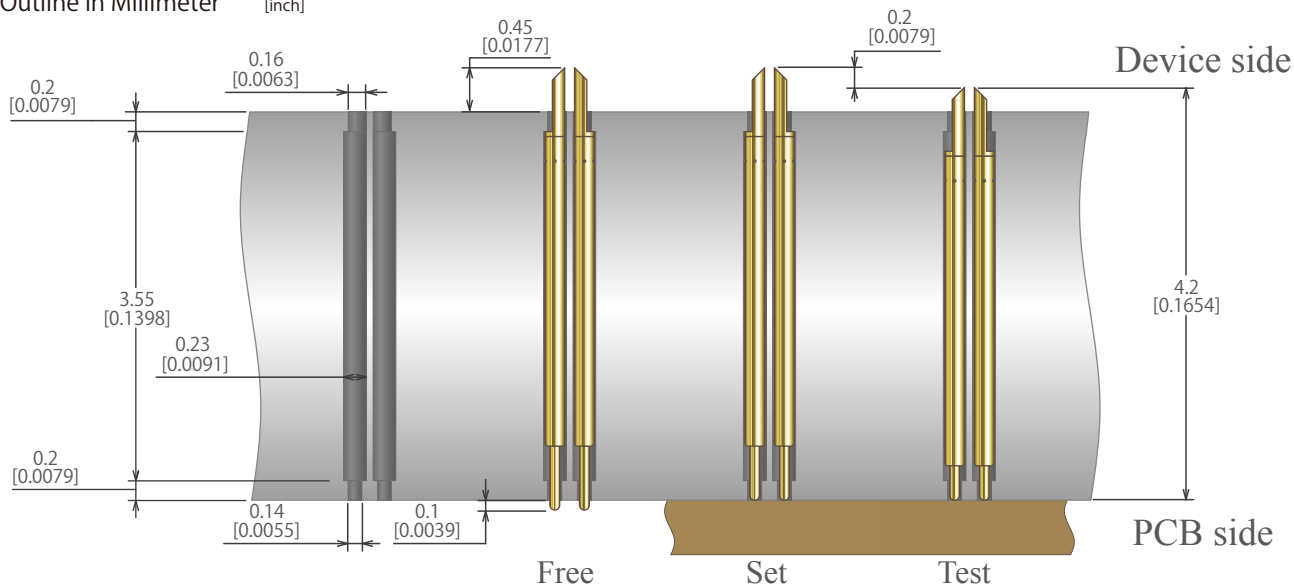
Pin Dia.

0.20mm

Length

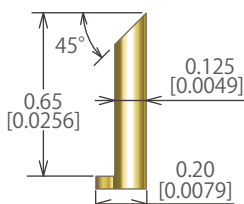
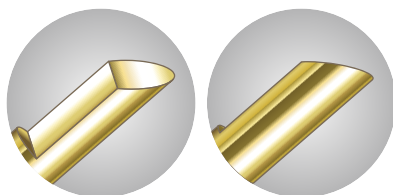
4.50mm

Pin Outline in Millimeter [inch]

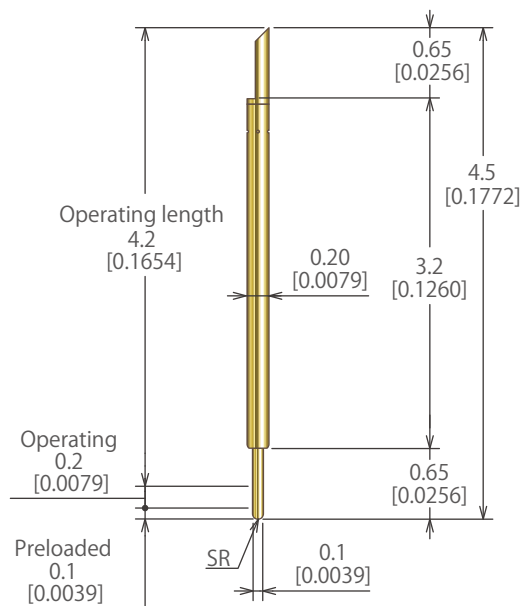
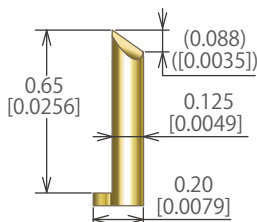
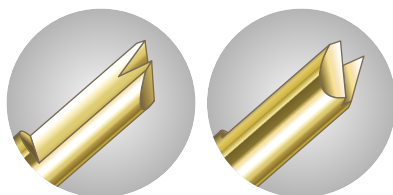


Top Plunger Variation & Item Number

KJS030-001W1



KJS030-002NW2



SPECIFICATIONS (Approximate Average Values)

Mechanical Specifications	Spring Force at Operating Travel	15gf (0.53oz.)@0.3mm(0.0118inch) Travel
	Operating Temperature	-40 to 120°C
	Life Span at Operating Travel	1000K Cycles
Electrical Specifications	Current Rating (Continuous)	0.7A
	Self Inductance	1.62nH
	Bandwidth @-1dB	18.8GHz
	DC Resistance	≤0.5ohm
Material and Finishes	Top Plunger	(KJS030-001W1) Hardened BeCu / Au Plated (KJS030-002NW2) Hardened BeCu / Au Alloy Plated
	Bottom Plunger	Hardened BeCu / Au Plated
	Barrel	Alloy / Au Plated
	Spring	Music Wire / Au Plated

PIN APPLICATIONS (Reference)

Peripheral

- Package Type QFN, DFN etc
- Pad/Bump Pitch 0.3mm Pitch

Grid Array

- Package Type BGA, LGA etc
- Pad/Bump Pitch 0.5mm Pitch

※ Please refer to "Pin Arrangement" on the next page.

Kelvin Series

Kelvin 030
Kelvin 040
Kelvin 050

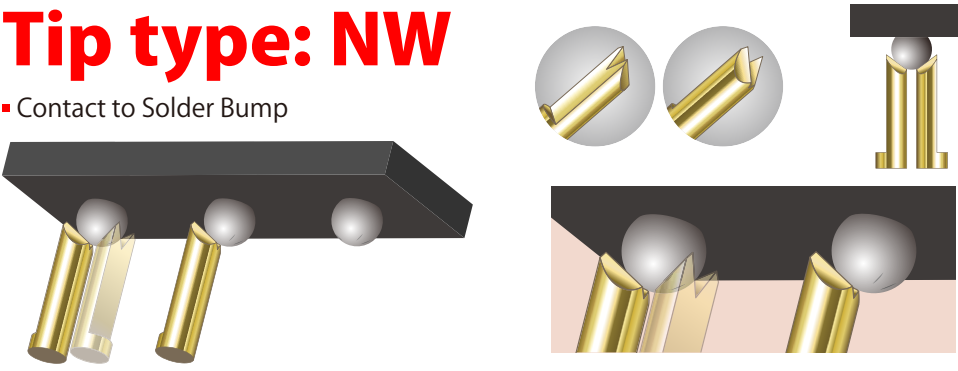
Tip type: W

- Contact to Flat Pad

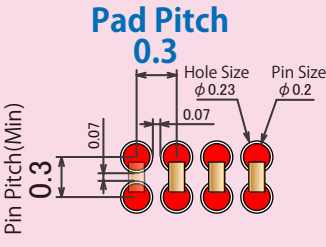
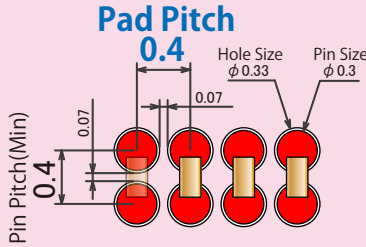
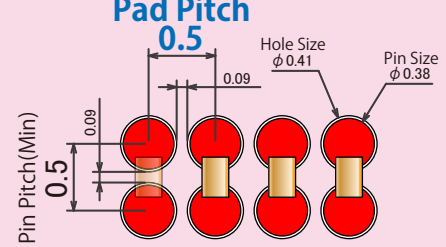
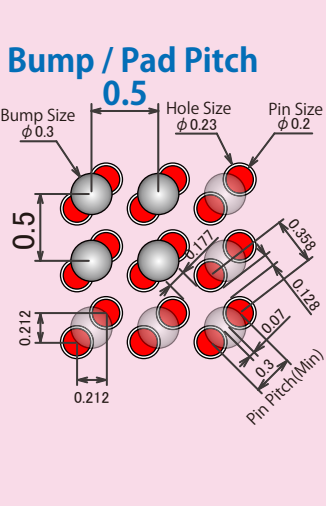
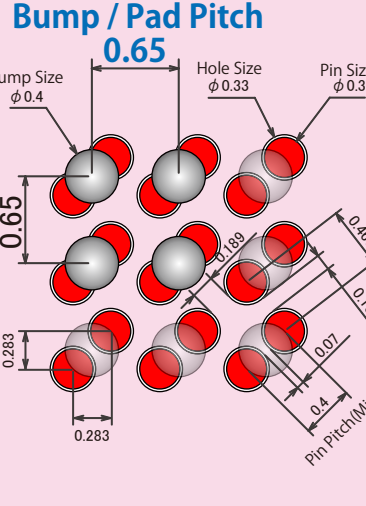
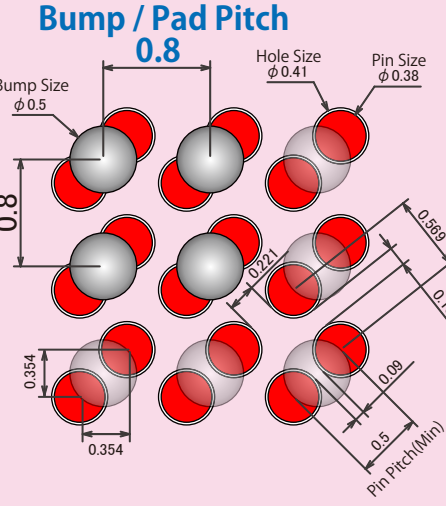


Tip type: NW

- Contact to Solder Bump



Pin Arrangement

Kelvin 030	Kelvin 040	Kelvin 050
Peripheral type package: QFN, DFN etc.		
<p>Pad Pitch 0.3</p>  <p>Pin Pitch (Min) 0.3</p> <p>Hole Size ϕ 0.23</p> <p>Pin Size ϕ 0.2</p>	<p>Pad Pitch 0.4</p>  <p>Pin Pitch (Min) 0.4</p> <p>Hole Size ϕ 0.33</p> <p>Pin Size ϕ 0.3</p>	<p>Pad Pitch 0.5</p>  <p>Pin Pitch (Min) 0.5</p> <p>Hole Size ϕ 0.41</p> <p>Pin Size ϕ 0.38</p>
Grid Array type package: BGA, LGA etc.		
<p>Bump / Pad Pitch 0.5</p>  <p>Bump Size ϕ 0.3</p> <p>Hole Size ϕ 0.23</p> <p>Pin Size ϕ 0.2</p> <p>Pin Pitch (Min) 0.3</p>	<p>Bump / Pad Pitch 0.65</p>  <p>Bump Size ϕ 0.4</p> <p>Hole Size ϕ 0.33</p> <p>Pin Size ϕ 0.3</p> <p>Pin Pitch (Min) 0.4</p>	<p>Bump / Pad Pitch 0.8</p>  <p>Bump Size ϕ 0.5</p> <p>Hole Size ϕ 0.41</p> <p>Pin Size ϕ 0.38</p> <p>Pin Pitch (Min) 0.5</p>