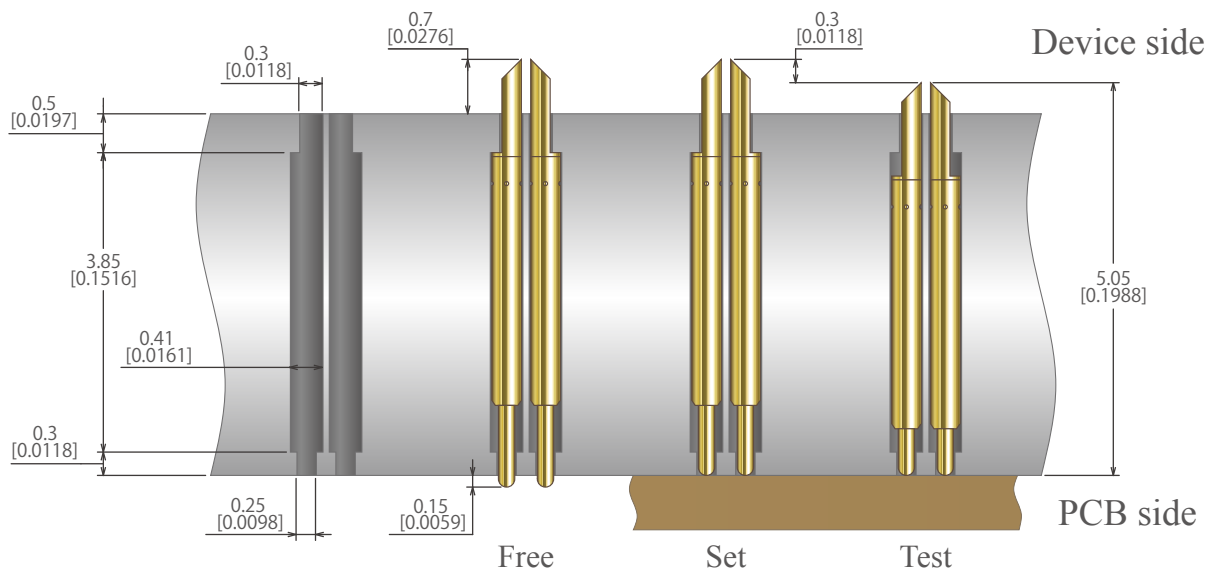




Kelvin 050

Pin Dia. **0.38mm** Length **5.50mm**

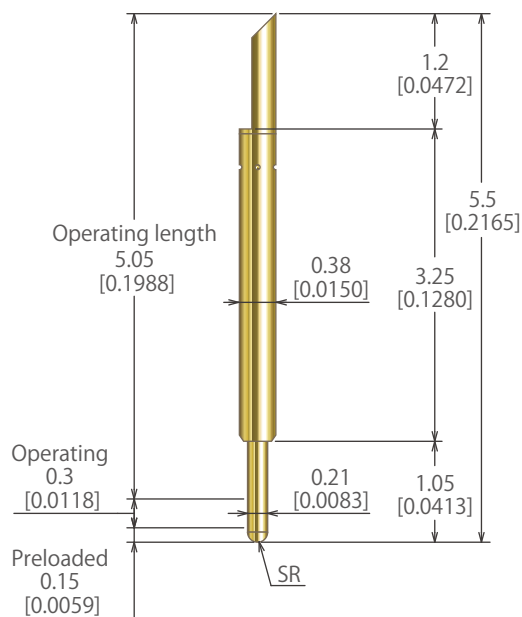
Pin Outline in Millimeter [inch]



Top Plunger Variation & Item Number

KHS050-011W1

KHS050-012NW2



SPECIFICATIONS (Approximate Average Values)

Mechanical Specifications	Spring Force at Operating Travel	31gf (1.09oz.)@0.45mm(0.0177inch) Travel
	Operating Temperature	-40 to 140°C
	Life Span at Operating Travel	500K Cycles
Electrical Specifications	Current Rating (Continuous)	1.7A
	Self Inductance	1.56nH
	Bandwidth @-1dB	8.4GHz
	DC Resistance	≤0.05ohm
Material and Finishes	Top Plunger	(KHS050-011W1) Hardened BeCu / Au Plated (KHS050-012NW2) Hardened BeCu / Au Alloy Plated
	Bottom Plunger	Hardened BeCu / Au Plated
	Barrel	Alloy / Au Plated
	Spring	Stainless Steel / Au Plated

PIN APPLICATIONS (Reference)

Peripheral	
Package Type	QFN, DFN etc
Pad/Bump Pitch	0.5mm Pitch
Grid Array	
Package Type	BGA, LGA etc
Pad/Bump Pitch	0.8mm Pitch

※ Please refer to "Pin Arrangement" on the next page.

Kelvin Series

Kelvin 030
Kelvin 040
Kelvin 050

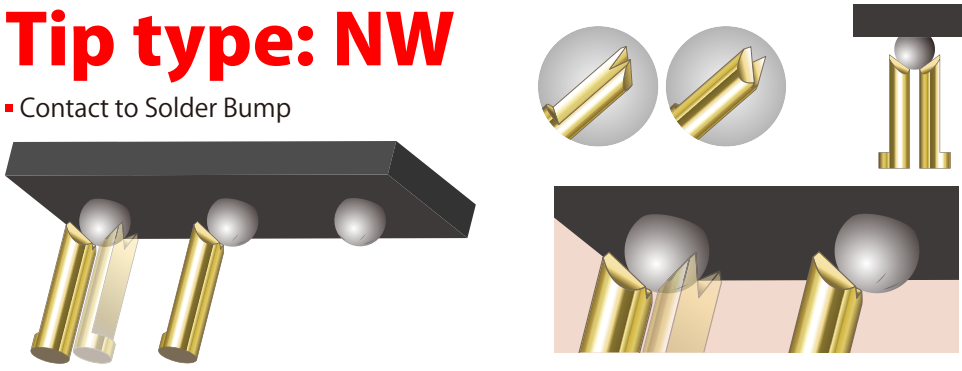
Tip type: W

- Contact to Flat Pad



Tip type: NW

- Contact to Solder Bump



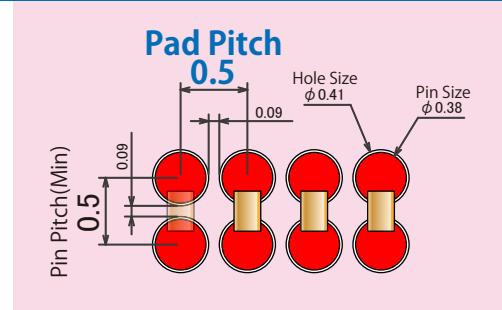
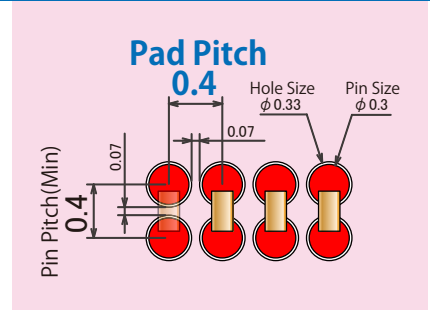
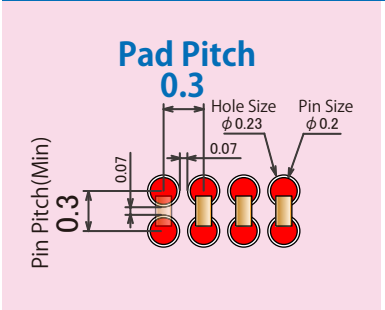
Pin Arrangement

Kelvin 030

Kelvin 040

Kelvin 050

Peripheral type package: QFN, DFN etc.



Grid Array type package: BGA, LGA etc.

