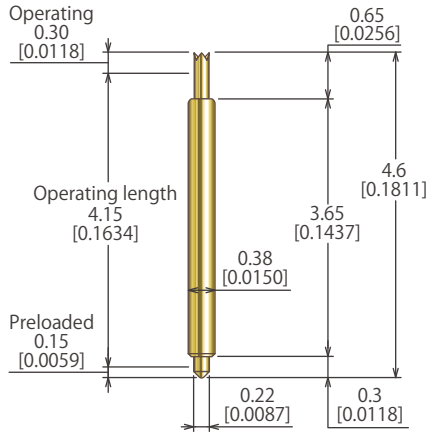


Non-Magnetic 非磁性

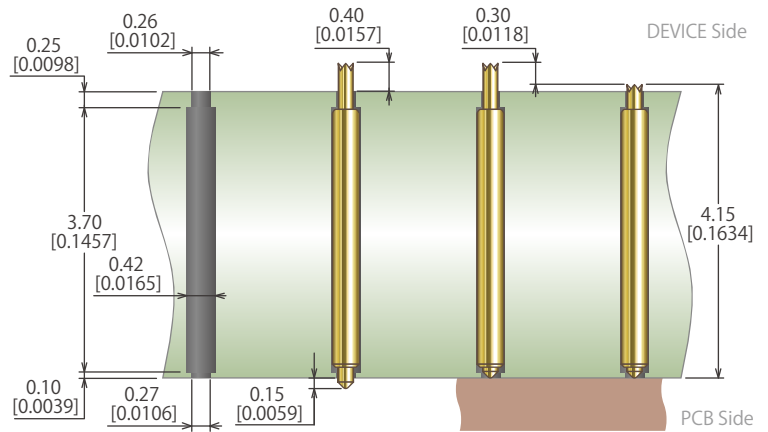
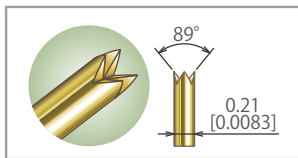
Pitch
0.50mm

Pin Outline in Millimeter [inch]

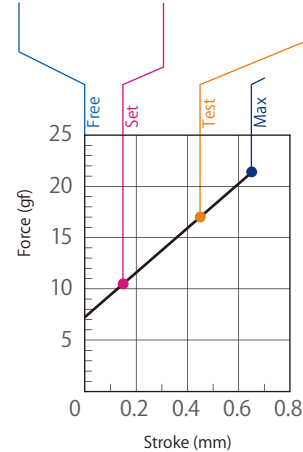
KJW050-003CG **NEW**



Top Plunger Dimension



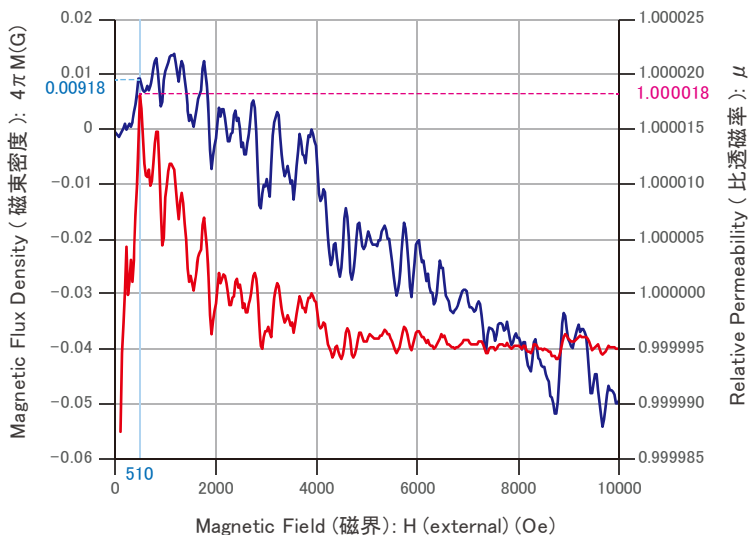
Free Set Test



SPECIFICATIONS (Approximate Average Values)

Mechanical Specifications	Spring Force at Operating Travel	17gf (0.60oz.)@0.45mm(0.0177inch) Travel
	Operating Temperature	-40 to 80°C
	Life Span at Operating Travel	150K Cycles
Electrical Specifications	Current Rating (Continuous)	1.9A
	Self Inductance	1.29nH
	Bandwidth @-1dB	19.9GHz
	DC Resistance	≤0.1ohm

Magnetic Characteristic 特性データ



$4\pi M$
 μ

When H is 5100e (H の値が 5100e のとき)
 $4\pi M = 0.00918G$

$B = H + 4\pi M$
 $B = \mu H$

Relative Permeability 比透磁率
 $\mu_{max} = 1.000018$

For reference 参考

Aluminum アルミニウム $\mu = 1.000022$
 Air 空気 $\mu = 1.0006$

※Test Temperature 測定温度: 25°C (298K)