

Pitch

0.40mm

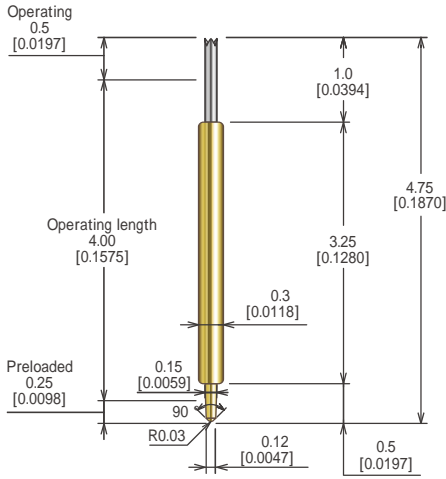
Length

4.75mm

BGA LGA SOP  
QFP QFN etc.

Pin Outline

Unit: mm [inch]



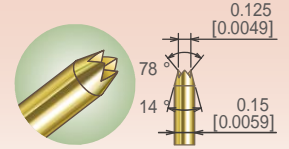
Specifications

(Approximate Average Values)

Mechanical Specifications	
Spring Force at Operating Travel	24gf (0.85oz.)
Operating Travel	0.75mm (0.0295inch)
Operating Temperature	45 to 125
Life Span at Operating Travel	200K Cycles
Electrical Specifications	
Current Rating (Continuous)	1.0A
Self Inductance	1.27nH
Bandwidth @ 1dB	9.5GHz
DC Resistance	0.1ohm
Material and Finishes	
Bottom Plunger	BeCu / Au Plated
Barrel	Alloy / Au Plated
Spring	Music Wire / Au Plated

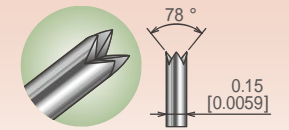
Top Plunger & Item Number

KHW040 003C2



Material : BeCu  
 Plating : Au Alloy

KHW040 004CP



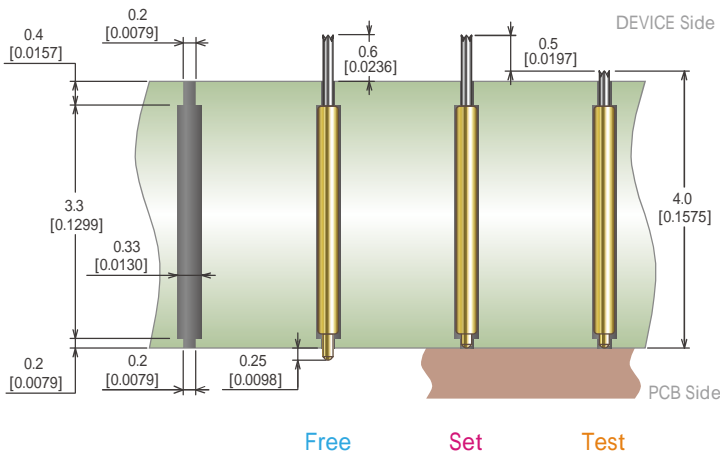
Material : Pd Alloy  
 Plating :

\*Top Plunger : Please refer to the table on the right.

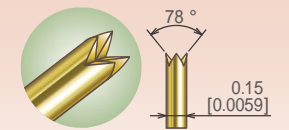
Socket Outline

Unit: mm [inch]

Force Chart

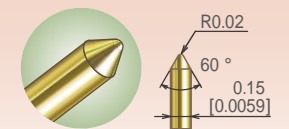


KHW040 004C2



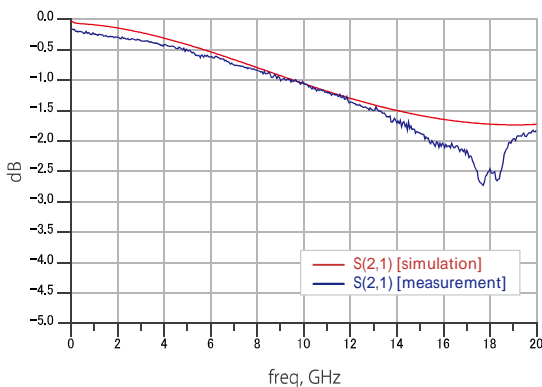
Material : BeCu  
 Plating : Au Alloy

KHW040 005R2



Material : BeCu  
 Plating : Au Alloy

Insertion Loss Data



Life Test Data

