

Pitch

0.50mm

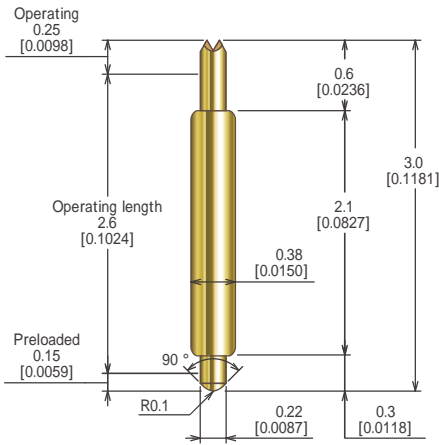
Length

3.0mm

BGA LGA SOP  
QFP QFN etc.

Pin Outline

Unit: mm [inch]



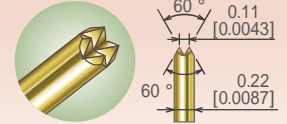
Specifications

(Approximate Average Values)

Mechanical Specifications	
Spring Force at Operating Travel	25gf (0.88oz.)
Operating Travel	0.4mm (0.0157inch)
Operating Temperature	45 to 125
Life Span at Operating Travel	1000K Cycles
Electrical Specifications	
Current Rating (Continuous)	1.1A
Self Inductance	0.81nH
Bandwidth @ 1dB	20.0GHz
DC Resistance	0.05ohm
Material and Finishes	
Bottom Plunger	BeCu / Au Plated
Barrel	Alloy / Au Plated
Spring	Music Wire / Au Plated

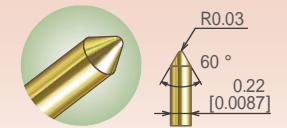
Top Plunger & Item Number

KHW050 001C2



Material : BeCu  
Plating : Au Alloy

KHW050 002R2



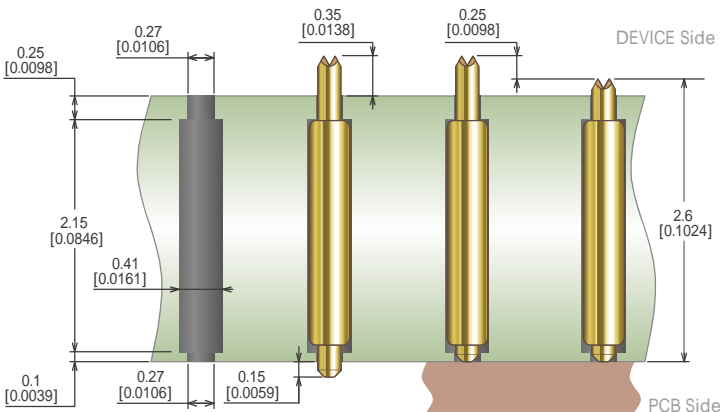
Material : BeCu  
Plating : Au Alloy

\*Top Plunger : Please refer to the table on the right.

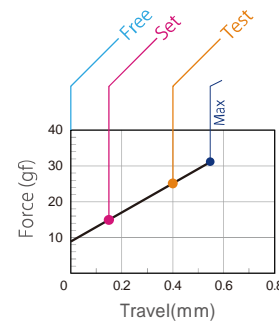
Socket Outline

Unit: mm [inch]

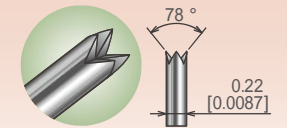
Force Chart



Free Set Test

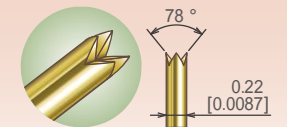


KHW050 003CP



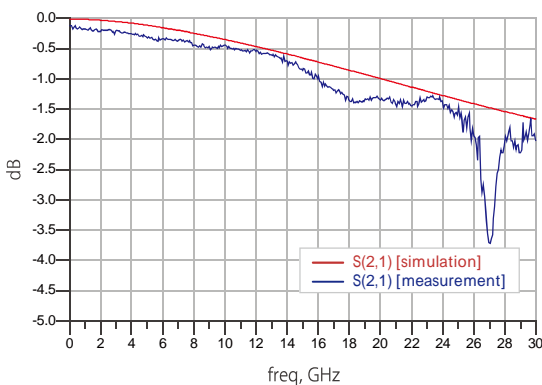
Material : Pd Alloy  
Plating :

KHW050 003C2



Material : BeCu  
Plating : Au Alloy

Insertion Loss Data



Life Test Data

