

Pitch

0.80mm

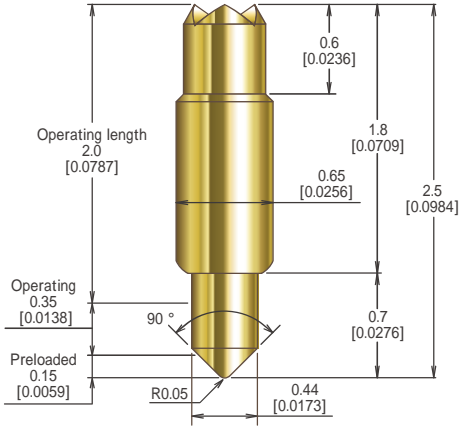
Length

2.5mm

BGA LGA SOP
QFP QFN etc.

Pin Outline

Unit: mm [inch]



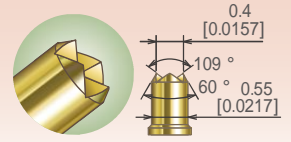
Specifications

(Approximate Average Values)

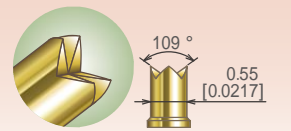
Mechanical Specifications	
Spring Force at Operating Travel	20gf (0.71oz.)
Operating Travel	0.5mm (0.0197inch)
Operating Temperature	45 to 125
Life Span at Operating Travel	500K Cycles
Electrical Specifications	
Current Rating (Continuous)	1.9A
Self Inductance	0.53nH
Bandwidth @ 1dB	15.9GHz
DC Resistance	0.05ohm
Material and Finishes	
Bottom Plunger	BeCu / Au Plated
Barrel	BeCu / Au Alloy Plated
Spring	Music Wire / Au Plated

Top Plunger & Item Number

KGS080 001CA



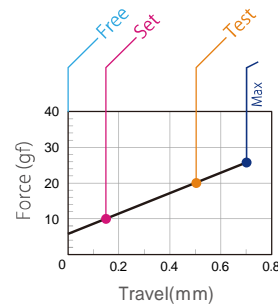
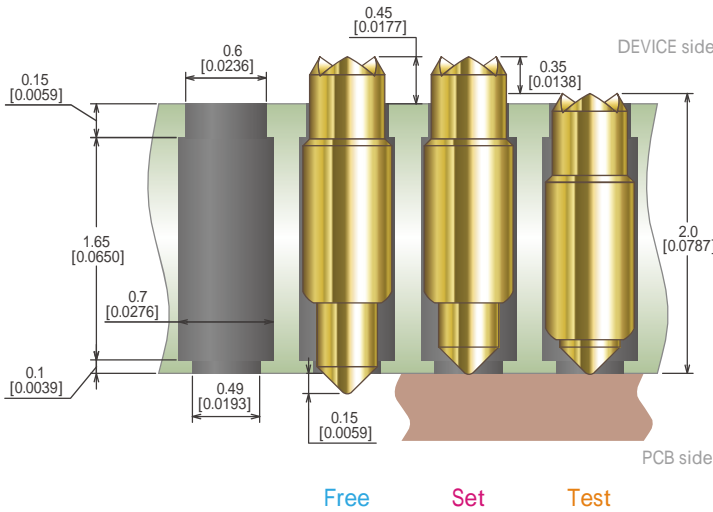
KHS080 001CA



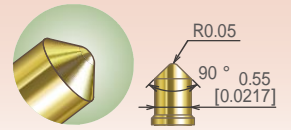
Socket Outline

Unit: mm [inch]

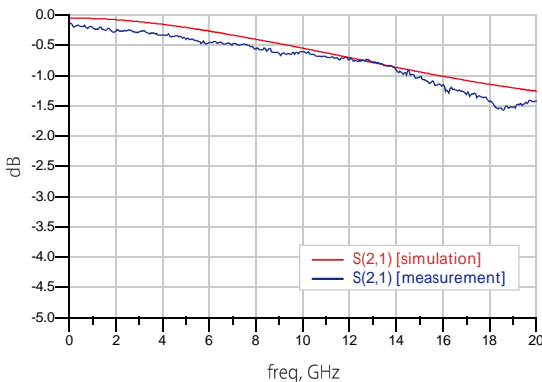
Force Chart



KHS080 002RA



Insertion Loss Data



Life Test Data

