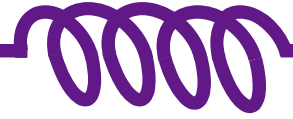


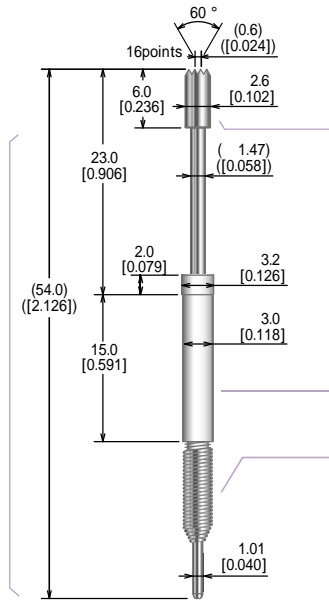
HC Series NEW



S Type

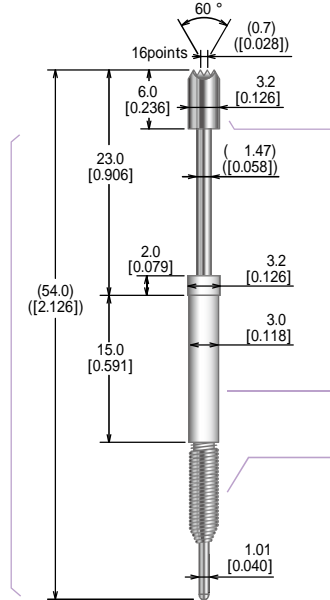
Pin Outline Unit: mm [inch]

HCS 3.2K(26) 23M 1



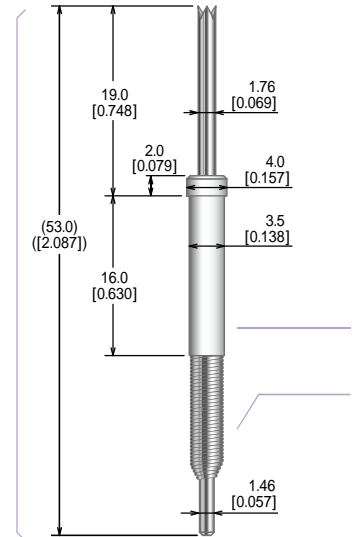
Pitch **4.0mm**

HCS 3.2K(32) 23M 1



Pitch **4.0mm**

HCS 4.0H 19M 2



Pitch **5.0mm**

Specifications (Approximate Average Values)

	HCS 3.2K(26) 23M 1	HCS 3.2K(32) 23M 1	HCS 4.0H 19M 2
Mechanical Specifications			
Spring Force at Operating Travel	225gf (7.937oz.)	225gf (7.937oz.)	300gf (10.58oz.)
Operating Travel	4.43mm (0.1744inch)	4.43mm (0.1744inch)	9.6mm (0.3780inch)
Max Travel	6.5mm (0.2560inch)	6.5mm (0.2560inch)	17.0mm (0.6693inch)
Operating Temperature	40 to 80	40 to 80	40 to 80
Life Span at Operating Travel	1000K Cycles	1000K Cycles	1000K Cycles
Electrical Specifications			
Current Rating (Continuous)	9A	9A	11A
DC Resistance	0.03ohm	0.03ohm	0.02ohm
Material and Finishes			
Plunger	Head	SK (Steel) / Ni Plated	SK (Steel) / Ni Plated
	Shaft	SWRH / Ni Plated	SWRH / Ni Plated
	Collar 1		SK (Steel) / Ni Plated
	Collar 2		
Barrel	Polyacetal / No Plating	Polyacetal / No Plating	Polyacetal / No Plating
Spring	Stainless Steel / No Plating	Stainless Steel / No Plating	Stainless Steel / No Plating
Applicable Terminal			
	HCT 100	HCT 100	HCT 150