

Pitch

0.80mm

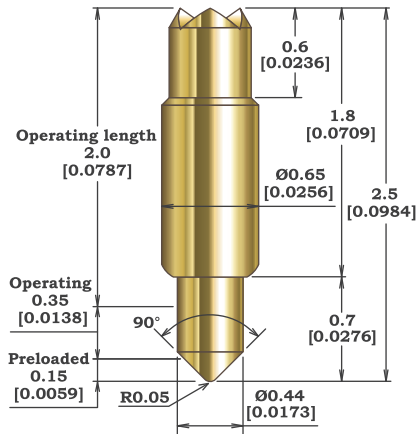
Length

2.5mm

Standard Pitch

Probe Outline

Unit: mm [inch]



Specifications

(Approximate Average Values)

Mechanical Specifications

Spring Force at Operating Travel	20gf (0.71oz.)
Operating Travel	0.5mm (0.0197inch)
Operating Temperature	-45 to 125°C
Life Span at Operating Travel	500K Cycles

Electrical Specifications

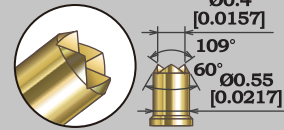
Current Rating (Continuous)	1.9A
Self Inductance	0.35nH
Bandwidth @ -1dB	21.4GHz
DC Resistance	≤0.05Ω

Material and Finishes

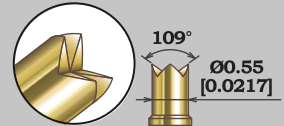
Bottom Plunger	BeCu / Au Plated
Barrel	BeCu / Au Alloy Plated
Spring	Music Wire / Au Plated

Top Plunger & Item Number

KGS080-001CA



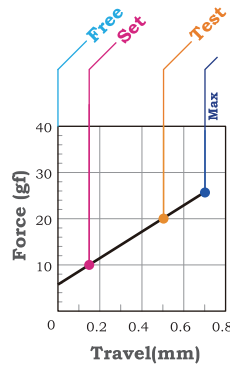
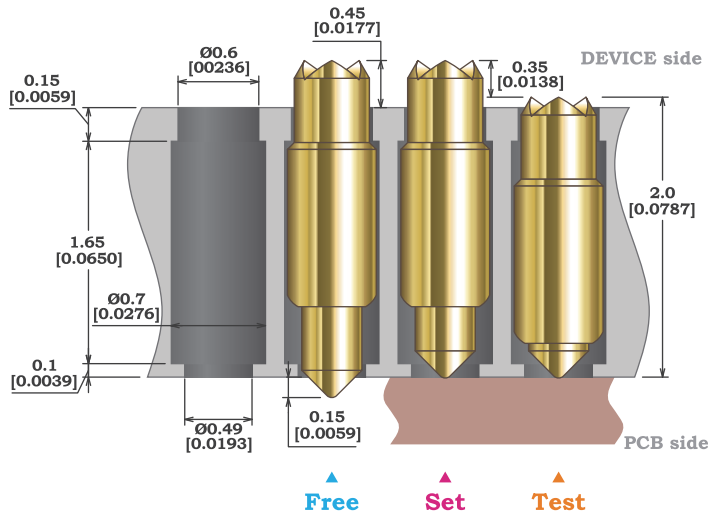
KHS080-001CA



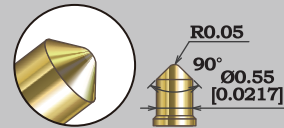
Socket Outline

Unit: mm [inch]

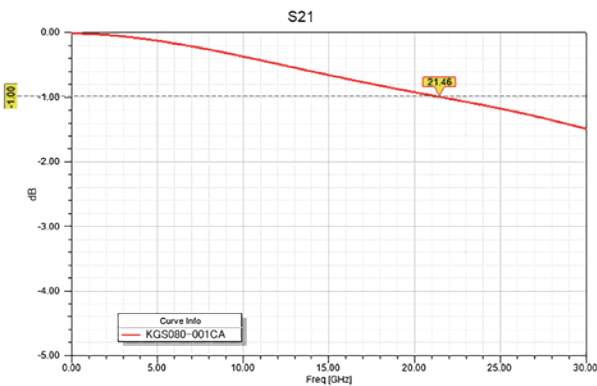
Force Chart



KHS080-002RA



Insertion Loss Data



Life Test Data

