

Pitch

0.30mm

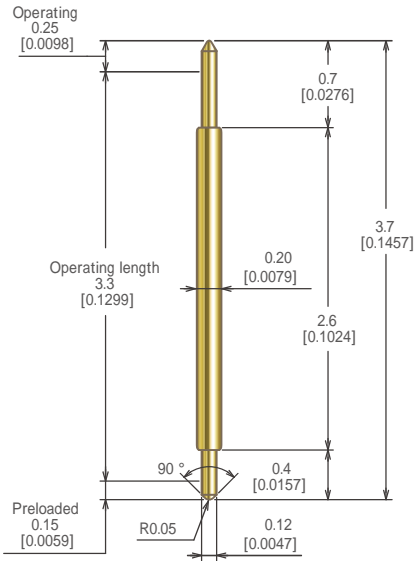
Length

3.7mm

BGA LGA SOP  
QFP QFN etc.

Pin Outline

Unit: mm [inch]



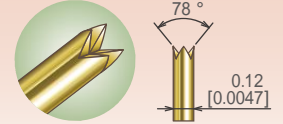
Specifications

(Approximate Average Values)

Mechanical Specifications	
Spring Force at Operating Travel	17gf (0.60oz.)
Operating Travel	0.4mm (0.0157inch)
Operating Temperature	45 to 125
Life Span at Operating Travel	150K Cycles
Electrical Specifications	
Current Rating (Continuous)	0.8A
Self Inductance	1.27nH
Bandwidth @ 1dB	36.7GHz
DC Resistance	0.1ohm
Material and Finishes	
Bottom Plunger	BeCu / Au Plated
Barrel	Alloy / Au Plated
Spring	Music Wire / Au Plated

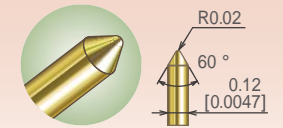
Top Plunger & Item Number

KHW030 001C2



Material : BeCu  
Plating : Au Alloy

KHW030 002R1



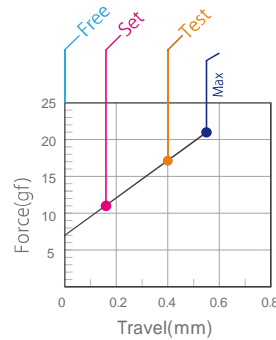
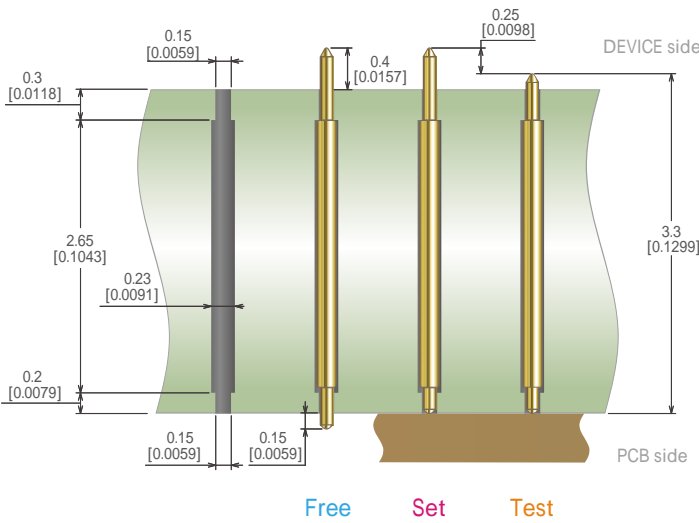
Material : BeCu  
Plating : Au

\*Top Plunger : Please refer to the table on the right.

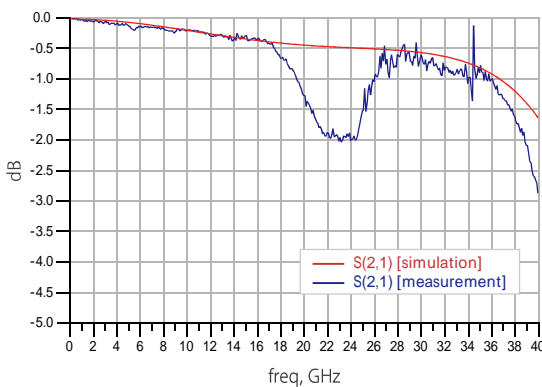
Socket Outline

Unit: mm [inch]

Force Chart



Insertion Loss Data



Life Test Data

