

NEW

HC Series

HC Series

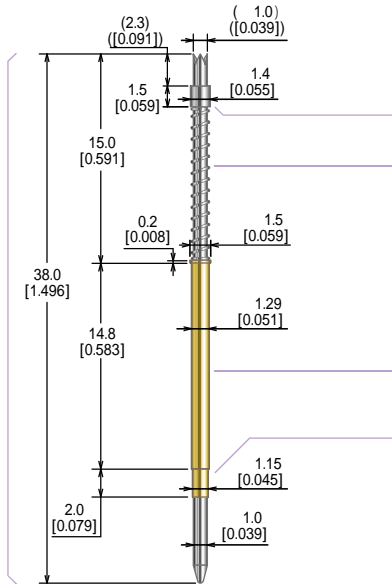


R Type

Pin Outline

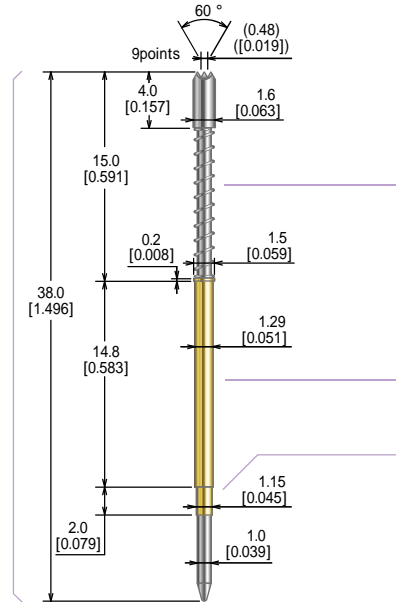
Unit: mm [inch]

HCR 1.5H 15M 1



Pitch **2.0mm**

HCR 1.5K(16) 15M 1



Pitch **2.0mm**

Specifications

(Approximate Average Values)

	HCR 1.5H 15M 1	HCR 1.5K(16) 15M 1	
Mechanical Specifications			
Spring Force at Operating Travel	160gf (5.65oz.)	160gf (5.65oz.)	
Operating Travel	3.5mm (0.1378inch)	3.33mm (0.1311inch)	
Max Travel	5.0mm (0.1969inch)	5.0mm (0.1969inch)	
Operating Temperature	40 to 120	40 to 120	
Life Span at Operating Travel	1000K Cycles	1000K Cycles	
Electrical Specifications			
Current Rating (Continuous)	7A	8A	
DC Resistance	0.03ohm	0.03ohm	
Material and Finishes			
Plunger	Head		
	Shaft	SK (Steel) / Ni Plated	SK (Steel) / Ni Plated
	Collar 1	Stainless Steel / No Plating	
	Collar 2	Stainless Steel / Au Plated	Stainless Steel / Au Plated
Barrel	Brass / Au Plated	Brass / Au Plated	
Spring	Music wire / Ni Plated	Music wire / Ni Plated	
Applicable Terminal			
	HCT 100	HCT 100	

*All specifications are subject to change without notice.